



HD ONVIF | S G Q

HBW2GR3V/HBW2GR1V/HBL2GR1V

Network TDN Low-Light WDR 2MP IR Rugged Bullet

OPERATIONAL	
VIDEO STANDARD	NTSC/PAL
SCANNING SYSTEM	Progressive scan
IMAGE SENSOR	1/2.8" 2Megapixel progressive scan CMOS
NUMBER OF PIXELS (H x V)	2MP - 1920x1080
MINIMUM ILLUMINATION	Color: 0.001Lux @f/1.6, B/W: 0Lux @f/1.6(IR on)
S/N RATIO	50db minimum
ELECTRONIC SHUTTER SPEED	Auto/Manual, 1/3(4) -1/10000ths
IR DISTANCE	60m
DAY/NIGHT	Mechanical ICR (ON / OFF / AUTO selectable)
BACKLIGHT COMPENSATION	BLC / HLC / WDR / SAC(Scene Adaptive Control)
WIDE DYNAMIC RANGE (WDR)	HBW2GR1V: 140dB (50/60fps off) HBW2GR1V/HBW2GR3V: 120dB (50/60fps off)
WHITE BALANCE	Auto/Natural/Street Lamp/Outdoor/Manual/Customize Region
GAIN CONTROL	Auto/Manual
NOISE REDUCTION	3DNR
PRIVACY MASKING	4 configurable windows
ELECTRONIC IMAGE STABILIZATION	HBW2GR3V, HBW2GR1V: Not supported HBL2GR1V: OFF/ON
DEFOG	Auto/Manual/Off
LENS	HBW2GR3V: 5-60mm MFZ, HALL IRIS(Extended Focal Depth), optical zoom 12x lens F1.6
	HBW2GR1V: 2.7-13.5 mm MFZ, DC IRIS, optical zoom 5x lens F1.6
	HBL2GR1V: 2.7-12 mm MFZ, HALL IRIS(Extended Focal Depth), optical zoom 4x lens F1.6
ANGLE OF VIEW	HBW2GR3V: H: 62° - 6°, V: 34° - 4°
	HBW2GR1V: H: 110° - 32°, V: 59° - 19°
	HBL2GR1V: H: 102° - 35°, V: 54° - 21°
AUDIO/TWO-WAY	Line In/Out
ALARM INPUT/OUTPUT	2 In / 1 Out
ANALOG OUTPUT SUPPORT	Twin outputs (for adjustment only)
ETHERNET	HBW2GR3V, HBW2GR1V: RJ-45 (10/100Base-T) HBL2GR1V: RJ-45 (100/1000Base-T)
IP SPECIFICATIONS	
VIDEO COMPRESSION	H.265+, H.265, H.264 and MJPEG bit rate control (CBR and VBR)
RESOLUTION	16:9 1080p (1920x1080)/ 720p (1280x720)
	4:3 1.3M (1280x960)/VGA (640x480)
	OTHER D1 (704x576/704x480)/ CIF (352x288/352x240)
FRAME RATE	MAIN STREAM 1080P (1-50/60fps WDR off)
	SUB STREAM D1 (1-50/60fps WDR off)
	THIRD STREAM HBW2GR3V, HBW2GR1V: 1080P (1-25/30fps) HBL2GR1V: 1080P (1-50/60fps WDR off)
	HBW2GR3V, HBW2GR1V: Simultaneous Main stream and Third stream at 1080P (Main stream +Third stream <=68fps, WDR off, 2nd stream off) HBL2GR1V: Simultaneous Main stream and Third stream at 1080P (Main stream at 50/60fps WDR off, Third stream at 50/60fps WDR off)
AUDIO COMPRESSION	G.711a/ G.711Mu/ AAC/G.726
AUDIO STREAM	Full duplex, simplex
SUPPORTED WEB BROWSERS	IE11/Chrome(with application)/Firefox(earlier than 52.0 version)
SUPPORTED OS	Windows® 7 32-bit/64-bit; Windows® 10 32-bit/64-bit

* Some development may be required in specific user cases to support some of these protocols in the field as they mature over time.

IP SPECIFICATIONS	
SUPPORTED PROTOCOLS*	HTTP; HTTPS; TCP; ARP; RTSP; RTP; UDP; SMTP; FTP; DHCP; DNS; DDNS; PPPoE; IPv4/v6; QoS; UPnP; NTP; Bonjour; 802.1x; Multicast; ICMP; SNMP
COMPATIBILITY	ONVIF Profile S, G and Q
MAXIMUM USERS ACCESS	20 users
SECURITY	User account and password protection HTTPS, IP Filter, IEEE 802.1x, Digest authentication, User access log, TLS1.2, AES-256, SSH/Telnet closed, FTP disabled, PCI-DSS compliance, Hardware chipset for private key
HEAT MAP	HBL2GR1V: Support
BUILT-IN ALARM & EVENT	EVENT TYPE HBW2GR1V/HBW2GR3V: Motion Detection/Video Tampering/Face Detection/SD Card Error/SD Card Capacity Warning/Audio Detection/Object Abandoned/Object Missing/Tripwire/Intrusion HBL2GR1V: Motion Detection/Video Tampering/Face Detection/SD Card Error/SD Card Capacity Warning/Audio Detection/Object Abandoned/Object Missing/People counting
	EVENT LINKAGE Recording on SD card, Relay output, Email, Snapshot
	EVENT OUTPUT ONVIF, ISOM
UPLOADABLE VIDEO ANALYTICS (HBL2GR1V ONLY)	BASIC Trigger line/Intrusion/Loitering available now (Please download from www.honeywellvideo.com . Free of Charge, but please email to VALicensing@Honeywell.com to get license.)
	ADVANCED LICENSED ANALYTICS IntrusionTrace/LoiterTrace for advanced applications coming soon. (Need to purchase separately)
	ANALYTICS OUTPUT ISOM event output, Metadata
MICRO SD	Micro SDHC Capacity Max 32GB Micro SDXC Capacity Max 128GB
MICRO SD FUNCTION	Event trigger recording; Continuous and scheduled recording; Automatic recording when network fails
LANGUAGES SUPPORTED	English, Arabic, Czech, Dutch, French, German, Italian, Japanese, Korean, Polish, Portuguese, Russian, Simplified Chinese, Spanish, Turkish
ELECTRICAL	
POWER SUPPLY	PoE+(802.3at) Class 4/12VDC/AC24V
LONG DISTANCE POE SUPPORT	3X POE (300m @100Mbps)
AC FREQUENCY	50/60 Hz
POWER CONSUMPTION	HBW2GR3V: Max 17.3W; HBW2GR1V: Max 20.5W HBL2GR1V: Max 17W
AUXILIARY POWER SUPPLY	2.0W, DC12V (+/-5%)
MECHANICAL	
DIMENSIONS	11.1 x 4.3 in. (281.0 x 110.0 mm)
WEIGHT	Product weight: 4.70lb (2.130g) Package Weight: 6.28lb (2847g)
CONSTRUCTION	Die-cast aluminum housing with powder coat
CONSTRUCTION COLOR	RAL 9003 (White) and RAL 7022 (Grey)
ENVIRONMENTAL	
OPERATING TEMPERATURE	-40°F to 140°F (-40°C to 60°C)
RELATIVE HUMIDITY	0% to 95%, non-condensing
GORE VENTS	Yes
INGRESS PROTECTION	IP 67
IMPACT RESISTANCE	IK10
HEATER, FAN OPTION	Heater
REGULATORY	
EMISSIONS	FCC Part 15, CE (EN 55032); Complies with RCM (AS/NZS)
IMMUNITY	CE (EN 50130-4)
SAFETY	North America UL Listed to UL/CSA 60950-1, CE (EN 60950-1); North America UL Listed to UL/CSA 60950-22, CE (EN 60950-22)
ROHS	EN50581

Network TDN Low-Light WDR 2MP IR Rugged Bullet

RECOMMENDED ACCESSORIES

SYSTEM INTEGRATION

ONVIF support and open API software integration. Refer to www.onvif.org for the ONVIF specification and the Honeywell Open Technology Alliance website (<http://www.security.honeywell.com/hota/>) to learn more about our open and integrated solutions.



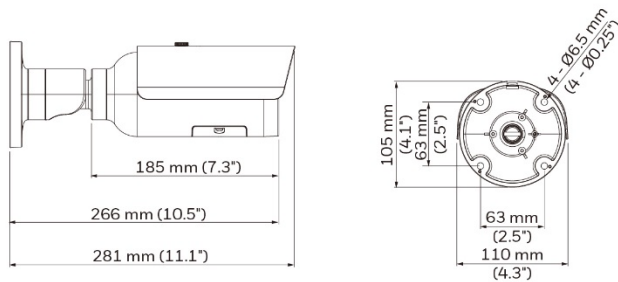
HOUSING AND MOUNTS

HB4G-PM		Pole Mount Adapter
HB34G-CM		Corner Mount Adapter
HBG-BB		IP66 Back Box with Gasket (for Cable Termination)
HBG-FP		Front Lens Plate Replacement (if Vandalized)
HLR1001		IP over Coax Converter
HPOE3X		3X Long Distance POE Switch

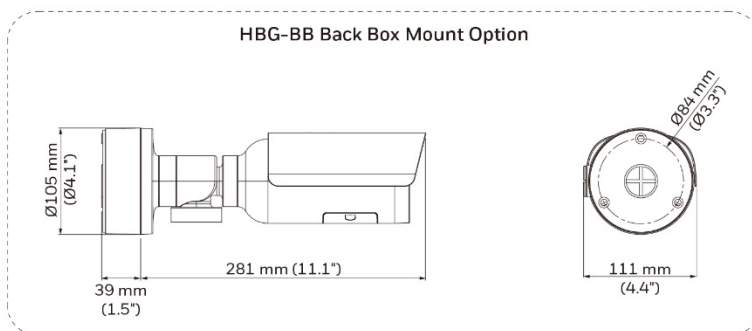
ORDERING

HBW2GR3V	Network TDN Low Light WDR IR Bullet Camera, 1/2.8" 2 Megapixel progressive scan CMOS, 5-60 mm MFZ, 4 IR LEDs, PoE+, H.265.
HBW2GR1V	Network TDN Low Light WDR IR Bullet Camera, 1/2.8" 2 Megapixel progressive scan CMOS, 2.7-13.5 mm MFZ, 4 IR LEDs, PoE+, H.265.
HBL2GR1V	Network TDN Intelligent Ultra WDR IR Bullet Camera, 1/2.8" 2 Megapixel progressive scan CMOS, 2.7-12 mm MFZ, 4 IR LEDs, PoE+, H.265

DIMENSIONS



* DIMENSIONS DRAWING SHOWS BACK BOX.



For more information

www.honeywellvideo.com

Honeywell Security and Fire

22700 Blankenbaker Pkwy, Suite 150
Louisville, KY 40299
1.800.323.4576
www.honeywell.com

ONVIF and the ONVIF logo are trademarks of ONVIF Inc. Honeywell reserves the right, without notification, to make changes in product design or specifications.

HSV-HBx2GRxV-01-US(0618)DS-Y
© 2018 Honeywell International Inc.

Honeywell