

HD42XD2

TDN 1080p IR Rugged Dome Camera





| OPERATIONAL | |
|--------------------------|--|
| VIDEO STANDARD | NTSC/PAL |
| SCANNING SYSTEM | Progressive scan |
| IMAGE SENSOR | 1/2.8" 2.1 MP CMOS |
| EFFECTIVE PIXELS (H × V) | 1937 × 1097 |
| MINIMUM ILLUMINATION | 0.005 lux color @ F1.3, 30IRE, 0 lux B/W with IR LEDs on @ F1.3 |
| S/N RATIO | > 65 dB |
| ELECTRONIC SHUTTER SPEED | NTSC: 1/30 – 1/100,000 s PAL: 1/25 – 1/100,000 s |
| RESOLUTION | 1080p (1920 × 1080) |
| FRAME RATE | 25/30 fps @ 1080p 25/30 fps @ 720p |
| VIDEO OUTPUT | 1-channel BNC CVI/TVI/AHD/CVBS video output |
| IR DISTANCE | Up to 98 ft. (30 m), depending on scene reflectance |
| NUMBER OF IR LEDs | 2 High Power IR LEDs |
| SMART IR | Auto/Manual |
| DAY/NIGHT | Auto (ICR)/Manual |
| BACKLIGHT COMPENSATION | BLC/HLC/WDR |
| WHITE BALANCE | Auto/Manual |
| GAIN CONTROL | AGC |
| WIDE DYNAMIC RANGE | 120 dB |
| NOISE REDUCTION | 2DNR/3DNR |
| PRIVACY MASKING | Up to 4 configurable areas |
| LENS | 2.7 – 13.5 mm, MFZ lens, F1.3 |
| HORIZONTAL ANGLE OF VIEW | 102° ~ 29° |
| AUDIO | N/A |

| ELECTRICAL | |
|-----------------------|---|
| POWER SUPPLY | 12 VDC ±25% |
| POWER CONSUMPTION | 5.4 W max. (IR LEDs on) |
| MECHANICAL | |
| DIMENSIONS | Ø4.80" × 3.50" (Ø122.0 mm × 88.9 mm) |
| PRODUCT WEIGHT | 1.04 lb. (0.47 kg) |
| PACKAGE WEIGHT | 1.37 lb. (0.62 kg) |
| CONSTRUCTION | Die-cast aluminum housing with powder coat |
| CONSTRUCTION COLOR | RAL 9003 (White) |
| ENVIRONMENTAL | |
| OPERATING TEMPERATURE | -40°F to 140°F (-40°C to 60°C) |
| COLD START | Startup should be done at above -40°F (-40°C) |
| STORAGE TEMPERATURE | -40°F to 140°F (-40°C to 60°C) |
| RELATIVE HUMIDITY | Less than 90%, non-condensing |
| INGRESS PROTECTION | IP66 |
| IMPACT RESISTANCE | IK10 |
| REGULATORY | |
| EMISSIONS | EN55032, ANSI C63.4-2014 |
| IMMUNITY | EN50130-4 |
| SAFETY | EU: EN60950-1 |
| ROHS | EN50581 |

TDN 1080p IR Rugged Dome Cameras

RECOMMENDED ACCESSORIES

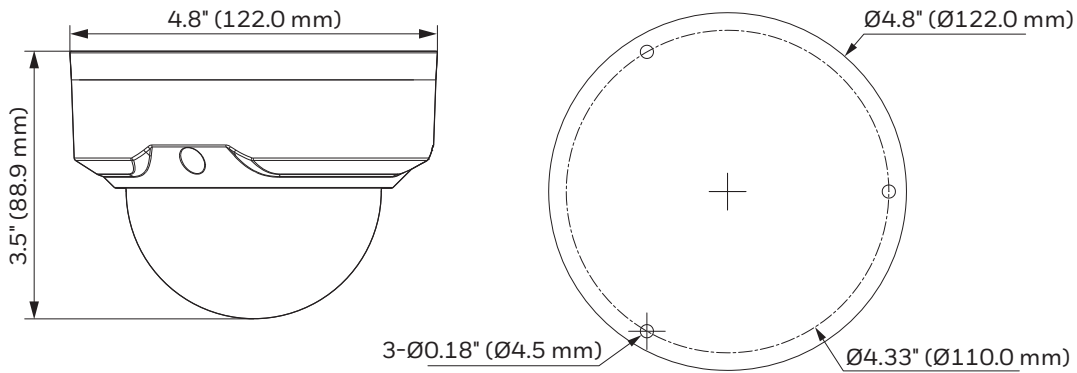
| SYSTEM COMPATIBILITY | | HOUSING AND MOUNTS | |
|----------------------|--|--------------------|--|
| HRHQ104* HQA DVRS | 4-channel, 720p@120/100 fps, 1080p@60/50 fps, 1 SATA, alarm I/O | HQA-WK |  Wall Mount Adapter |
| HRHQ108* HQA DVRS | 8-channel, 720p@240/200 fps, 1080p@120/100 fps, 2 SATA, alarm I/O | HQA-PM2 |  Pole Mount Adapter |
| HRHQ116* HQA DVRS | 16-channel, 720p@480/400 fps, 1080p@240/200 fps, 2 SATA, alarm I/O | | |

* Pre-installed storage (TB).

ORDERING

| | |
|---------|---|
| HD42XD2 | TDN 1080p IR Rugged Dome Camera, 1/2.8" 2.1 MP CMOS, 2.7–13.5 mm MFZ Lens, 2 High Power IR LEDs, 12 VDC, IP66, IK10 |
|---------|---|

DIMENSIONS



For more information

www.honeywell.com/security

Honeywell Security and Fire

2700 Blankenbaker Pkwy, Suite 150

Louisville, KY 40299

1.800.323.4576

www.honeywell.com

Honeywell reserves the right, without notification, to make changes in product design or specifications.

L/HD42XD2D/D | 10/17

© 2017 Honeywell International Inc.

Honeywell