

## 25x Zoom IR WDR PTZ IP Cameras

HDZP252DI

Honeywell's latest HDZ PTZ is part of the growing line of IP-based products. The high definition, True Day/Night WDR PTZ cameras provide extremely crisp video with up to 2 million effective pixels and 25x optical zoom for continuous surveillance in many security applications.

### Superior Image Quality

- Full HD 1080p resolution, 50/60 fps image with a 1/2.8" 2 megapixel sensor
- True WDR 120 dB ensures glare-free images
- True Day/Night provides vivid color images by day and clear black-and-white images at night with ICR (Infrared Cut Filter Removal)
- Excellent low-light performance with 3D noise reduction, saving storage and bandwidth together with H.265 codec

### Flexible Surveillance Solution

- 4.8–120 mm, F1.6–F4.4, 25x optical zoom lens with 360° continuous rotation for the flexibility to clearly view the target area with desired width and depth
- H.265, H.264 and MJPEG codec, triple stream support
- Six IR LEDs provide up to 328 ft. (100 m) of illumination in dimly lit or nighttime scenes (depending on scene reflectance)
- Water resistant (IP66) camera housing
- -40°F to 158°F (-40°C to 70°C) working temperature
- Built-in Analytics in the camera, such as face detection
- Security features include individual signed certificates and data encryption

### Onboard Video Storage

- Supports up to 128 GB microSDHC card for local video storage on events, continuous, or schedule, or with network interruption. Card not included



### Easy to Install and Use

- Built-in High PoE (Power over Ethernet) eliminates separate power supply and associated wiring; 12 VDC input where PoE power is unavailable
- ONVIF Profile S and G compliant
- Remote configuration, motorized pan, tilt and zoom adjustments and auto focus through web client

### Market Opportunities

The combination of the latest digital technology and advanced video processing makes HDZ ideally suited for large-scale surveillance in cities, roadways, airports, government facilities, schools and campuses, industrial environments and anywhere detailed surveillance is essential.

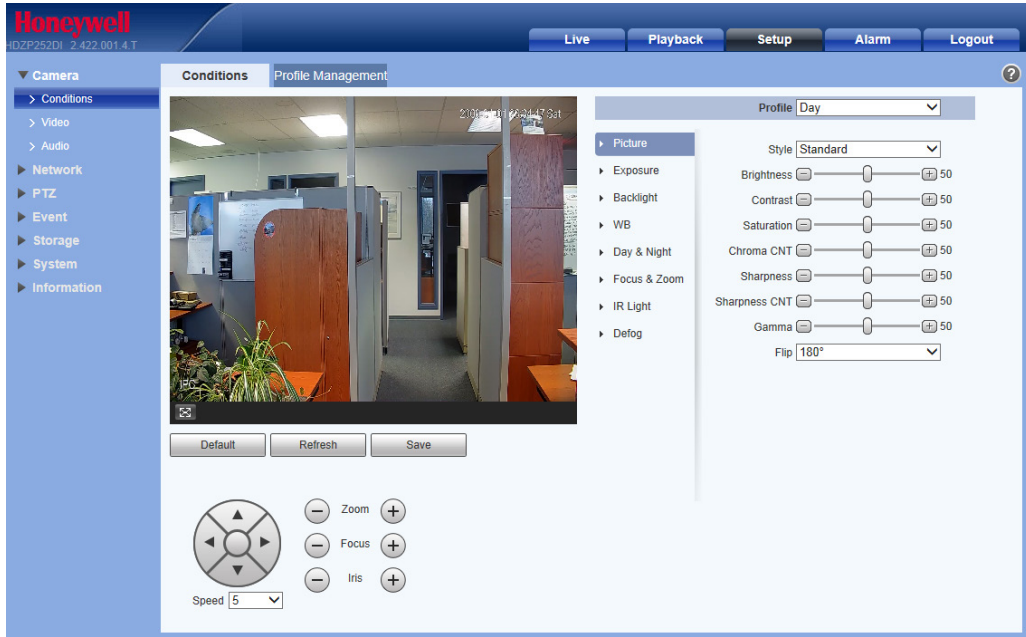
## FEATURES AND BENEFITS

- |   |  |  |   |  |
|---|--|--|---|--|
| <ul style="list-style-type: none"><li>• 4.8–120 mm, F1.6–F4.4, 25x optical zoom lens</li><li>• 1/2.8" progressive scan image sensor</li><li>• Up to 50/60 fps primary stream. Up to 25/30 fps secondary streams</li></ul> | <ul style="list-style-type: none"><li>• Up to triple stream support</li><li>• Ultra-low light performance</li><li>• 328 ft. (100 m) IR distance, depending on scene reflectance</li><li>• True WDR: 120 dB</li></ul> | <ul style="list-style-type: none"><li>• Excellent low light performance with down to 0 lux BW (with IRs on)</li><li>• Multiple, selectable compression formats (H.265/H.264/MJPEG)</li><li>• Wall mount accessory included</li></ul> | <ul style="list-style-type: none"><li>• Built-in Analytics, including Face detection</li><li>• Automatically restores to previous PTZ and lens position after power failure</li><li>• Choice of 12 VDC or PoE+ power inputs</li></ul> | <ul style="list-style-type: none"><li>• On board camera storage: up to 128 GB microSD card (not included)</li><li>• ONVIF profile S and G compliant</li><li>• Water resistant IP66 ingress protection rating</li></ul> |
|---|--|--|---|--|

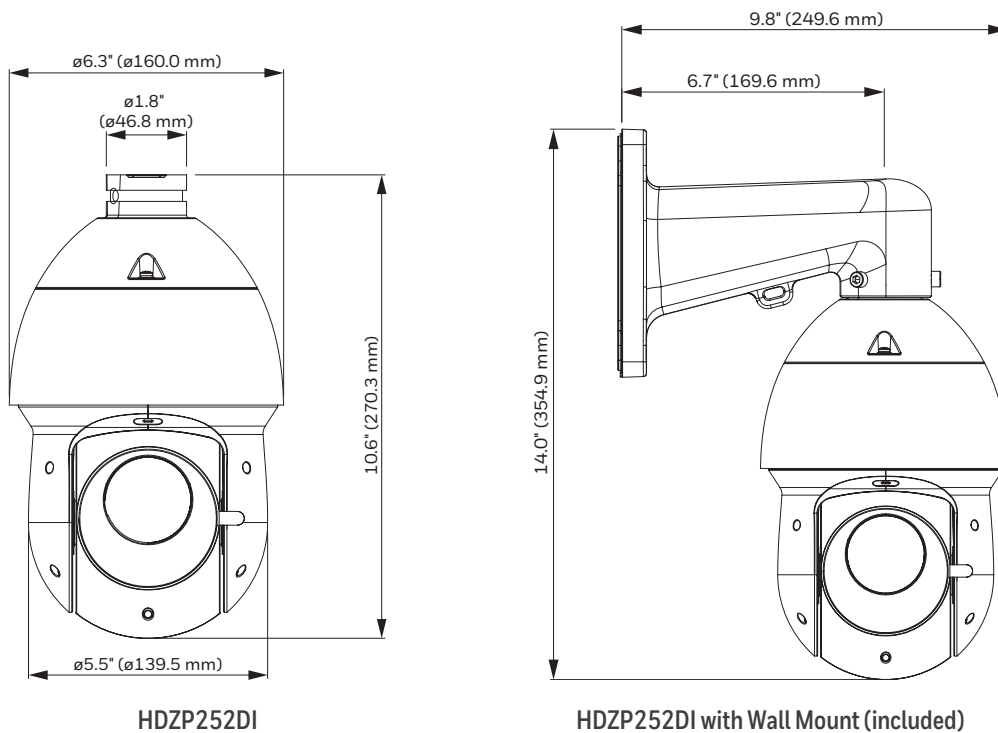
# HDZ Series – 25x Zoom IR WDR IP PTZ Cameras

## FEATURES CONTINUED

The camera can be configured to automatically detect and respond to events such as motion in the scene, alarm inputs, network failure, and/or camera tampering. Automated responses include: sending a notification through email, FTP, and/or HTTP; sending a still image of the event through email and/or FTP; and recording a video clip of the event to a configured microSDHC card. Setup can be done through a web client.



## DIMENSIONS



# HDZ Series – 25x Zoom IR WDR IP PTZ Cameras Technical Specifications


CAMERA	
IMAGE SENSOR	1/2.8" Exmor CMOS
OPTICAL ZOOM	25x
DIGITAL ZOOM	16x
NUMBER OF PIXELS (H × V)	1920 × 1080 (1080p)
WDR	120 dB
S/N RATIO	> 50 dB (AGC off)
MINIMUM ILLUMINATION	0.005 lux (color)/0 lux (B/W) @ F1.6 (with IR LEDs on)
FOCAL LENGTH	4.8 mm – 120 mm
MAX APERTURE	F1.6 – F4.4
FOCUS MODE	Manual/Auto
IR DISTANCE	Up to 328 ft. (100 m), depending on scene reflectance
ANGLE OF VIEW	H: 59.2° – 2.4°
WHITE BALANCE	Auto/Indoor/Outdoor/ATW/Manual
EXPOSURE MODE	Iris Priority/Shutter Priority/Gain Priority/Manual
ELECTRONIC SHUTTER	1/1 to 1/30,000 sec
BACKLIGHT COMPENSATION	BLC/HLC/WDR (120 dB)
DEFOG	On/Off
NOISE REDUCTION	2D/3D
DAY/NIGHT	Auto (ICR)/Color/BW
OPERATION	
PAN TRAVEL	360° endless
TILT TRAVEL	-15° to 90°, auto flip 180°
MANUAL PAN SPEED	Up to 200°/s
MANUAL TILT SPEED	Up to 120°/s
PRESETS	300
PRESET SPEED	Pan: Up to 240°/s; Tilt: Up to 200°/s
TOURS	8
AUTO PAN/SCAN	1 / 1
PATTERN	5
PRIVACY MASKS	24
MOTION DETECTION	On/Off
IMAGE ROTATION	Flip
AUDIO IN/OUT	1 / 1
ALARM INPUT/OUTPUT	2 / 1
VIDEO ANALYTICS	Face detection
EVENT	Motion Detect; Audio Detect; SD card capacity warning
EVENT NOTIFICATION	Record (SD card and FTP), Relay output, Email, Preset, Tour, Pattern, Snapshot
LANGUAGES SUPPORTED	English, Japanese
ELECTRICAL	
POWER SOURCE	12 VDC ± 25%, 3A PoE+ (802.3at) class 4
POWER CONSUMPTION	13 W; 20 W max (IR LEDs on)

MECHANICAL	
DIMENSIONS	Ø6.3" × 11.6" (Ø160.0 mm × 295.0 mm)
PRODUCT WEIGHT	8.8 lb. (4.0 kg)
CONNECTORS	Power input: Bare wire with connectors Network: RJ45 connector Alarm I/O: Twisted wire (2 in/1 out) Audio I/O: Twisted wire (1 in/1 out)
CONSTRUCTION MATERIAL	Aluminum
CONSTRUCTION COLOR	White (RAL CODE 9003)
ENVIRONMENTAL	
OPERATING TEMPERATURE	-40°F to 158°F (-40°C to 70°C)
RELATIVE HUMIDITY	Less than 90%, non-condensing
WATERPROOF STANDARD	IP66
IP SPECIFICATIONS	
VIDEO COMPRESSION	H.265 / H.264 / MJPEG
VIDEO STREAMING	<b>Primary Stream:</b> 1080p/720p @ 60/50 fps <b>2nd Stream:</b> D1/CIF @ 30/25 fps <b>3rd Stream:</b> 720p/D1/CIF @ 30/25 fps
VIDEO RESOLUTION	1080p (1920×1080p) / 720p (1280×720) / D1 (704×576/704×480) / CIF (352×288/352×240)
AUDIO COMPRESSION	G.711a/G.711Mu/AAC/G.726
AUDIO STREAM	Full-duplex, Simplex
INTERFACE	RJ-45, 10/100 Mbps Ethernet
SUPPORTED PROTOCOLS*	IPv4/v6, TCP/IP, UDP, RTP, RTSP, HTTP, HTTPS, SSL, FTP, SMTP, DHCP, PPPoE, UPnP, SNMP, Bonjour, DDNS, IEEE 802.1x, QoS, NTP, IP Filter, ONVIF
SECURITY	User account and password protection, HTTPS, IP Filter, IEEE 802.1x, Digest authentication, User access log, Hardware security chipset protection
MAXIMUM USERS ACCESS	20 users
MICRO SD	Support for microSD up to 128 GB (card not included)
MICRO SD FUNCTION	Event trigger recording Continuous and scheduled recording Automatic recording when network fails
SUPPORTED WEB BROWSERS	Internet Explorer® (11.0+)
SUPPORTED OS	Windows® 7 32-bit/64-bit
COMMUNICATION	ONVIF Profile S and G
REGULATORY	
EMISSIONS	FCC Part 15B, EN55032
IMMUNITY	EN55024, EN50130-4
SAFETY	EU: EN60950-1 North America UL listed to UL/CSA 60950-1
ROHS	EN50581: 2012

\* Some development may be required in specific user cases to support some of these protocols in the field as they mature over time.

# HDZ Series – 25x Zoom IR WDR IP PTZ Cameras

## RECOMMENDED ACCESSORIES

SYSTEM INTEGRATION		RECOMMENDED RECORDERS	
ONVIF support and open API software integration. Refer to <a href="http://www.onvif.org">www.onvif.org</a> for the ONVIF specification and the Honeywell Open Technology Alliance website ( <a href="http://www.security.honeywell.com/hota/">http://www.security.honeywell.com/hota/</a> ) to learn more about our open and integrated solutions.		HEN081*4	8ch, 2 HDD, 8 PoE, 4K, H.265
		HEN161*4	16ch, 2 HDD, 16 PoE, 4K, H.265
		HEN321*4	32ch, 2 HDD, 16 PoE, 4K, H.265
		HEN162*4	16ch, 4 HDD, 16 PoE, 4K, H.265
		HEN322*4	32ch, 4 HDD, 16 PoE, 4K, H.265
		HEN642*4	64ch, 4 HDD, 16 PoE, 4K, H.265
		HEN163*4	16ch, 8 HDD, 16 PoE, 4K, H.265, RAID 5&6
		HEN323*4	32ch, 8 HDD, 16 PoE, 4K, H.265, RAID 5&6
		HEN643*4	64ch, 8 HDD, 16 PoE, 4K, H.265, RAID 5&6
RECOMMENDED MOUNTS			
HDZPMA	Pole mount adapter for wall mount		
HDZCMA	Corner mount adapter for wall mount		
HDZJB	Junction box		
HDZNPTA	1.5" NPT adapter		
HDZW2	Wall mount with access hole		
HDZGM	Wall mount gooseneck bracket		
HDZCM1	Ceiling mount		
HDZCM2	Ceiling mount extension pole for HDZCM1, 220 mm		
HDZCM3	Ceiling mount extension pole for HDZCM1, 420 mm		

\* The \* = hard drive capacity in TB.

## ORDERING

HDZP252DI	Network TDN PTZ Dome, 1080p Resolution, 25x Zoom, WDR, H.265/H.264, NTSC/PAL, 6 IR LEDs, IP66, PoE+, micro SD Card Compatible (Supports up to 128 GB cards, card not included)
-----------	--

### For more information

[www.honeywell.com/security](http://www.honeywell.com/security)

### Honeywell Security and Fire

2700 Blankenbaker Pkwy, Suite 150

Louisville, KY 40299

1.800.323.4576

[www.honeywell.com](http://www.honeywell.com)

ONVIF and the ONVIF logo are trademarks of ONVIF Inc. Honeywell reserves the right, without notification, to make changes in product design or specifications.

L/HDZP252DID/D | 06/17  
© 2017 Honeywell International Inc.

**Honeywell**